



PROFESSIONAL CERTIFICATION:
 I, CLARK LAZAR, AM A LICENSED PROFESSIONAL ENGINEER UNDER THE LAWS OF THE STATE OF MARYLAND.
 LICENSE NO. 31188
 EXPIRATION DATE: 01/22/23

DUPLEX PUMP STATION MODIFICATIONS
 BAY AVENUE AND FIFTH STREET
 NORTH BEACH, MARYLAND

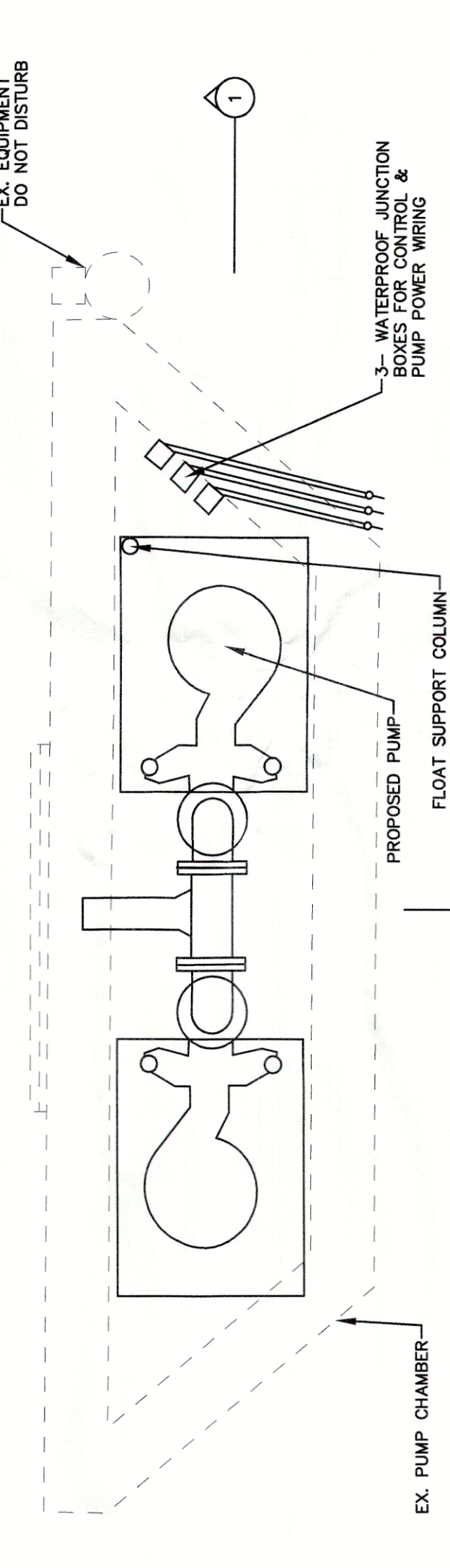
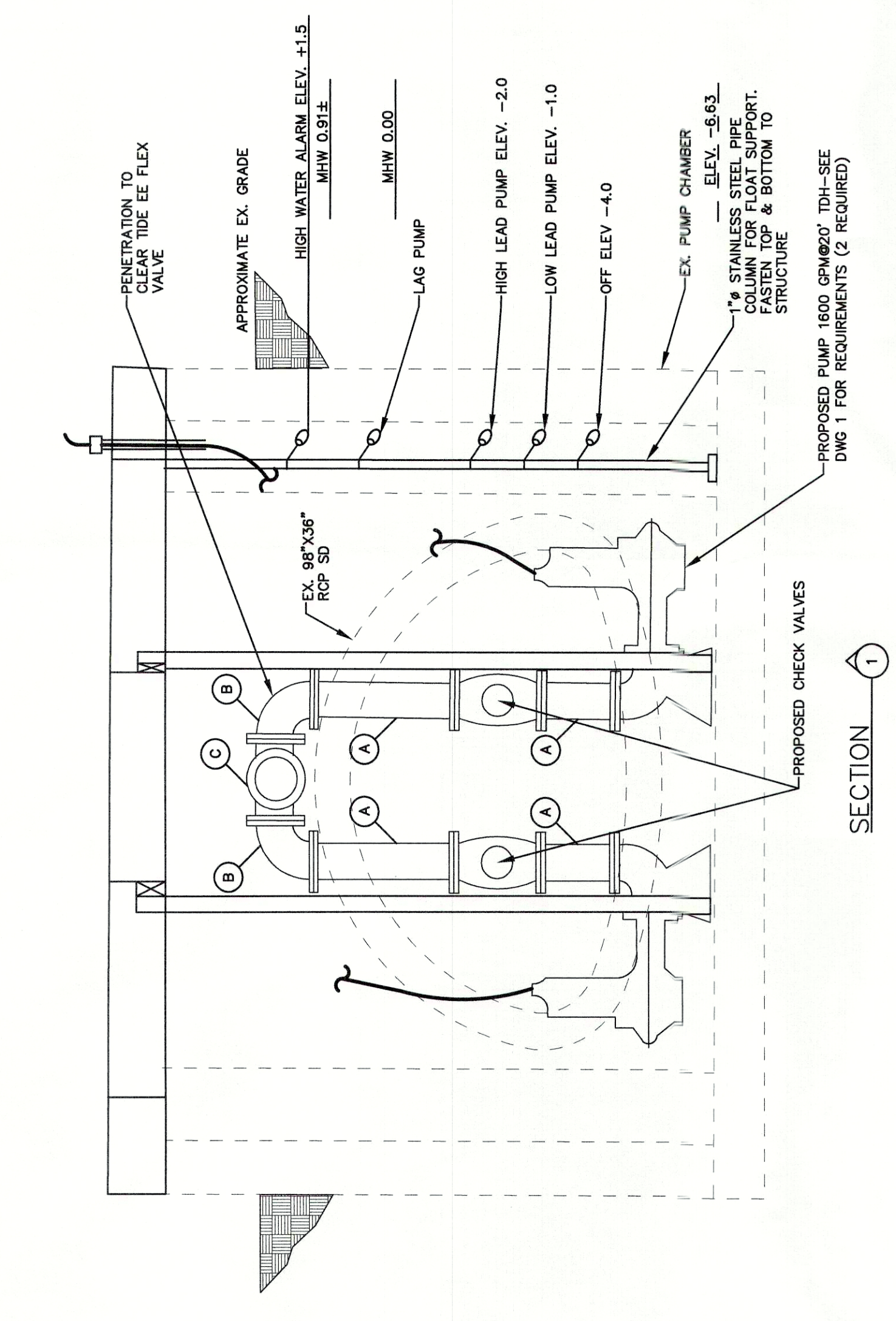
NO.	DATE	DESCRIPTION

DATE: DEC 2021
 CAA PROJECT NO.: 8800.001
 DRAWN BY: MD
 CHECKED BY: JS
 SHEET TITLE

DETAILS

SHEET

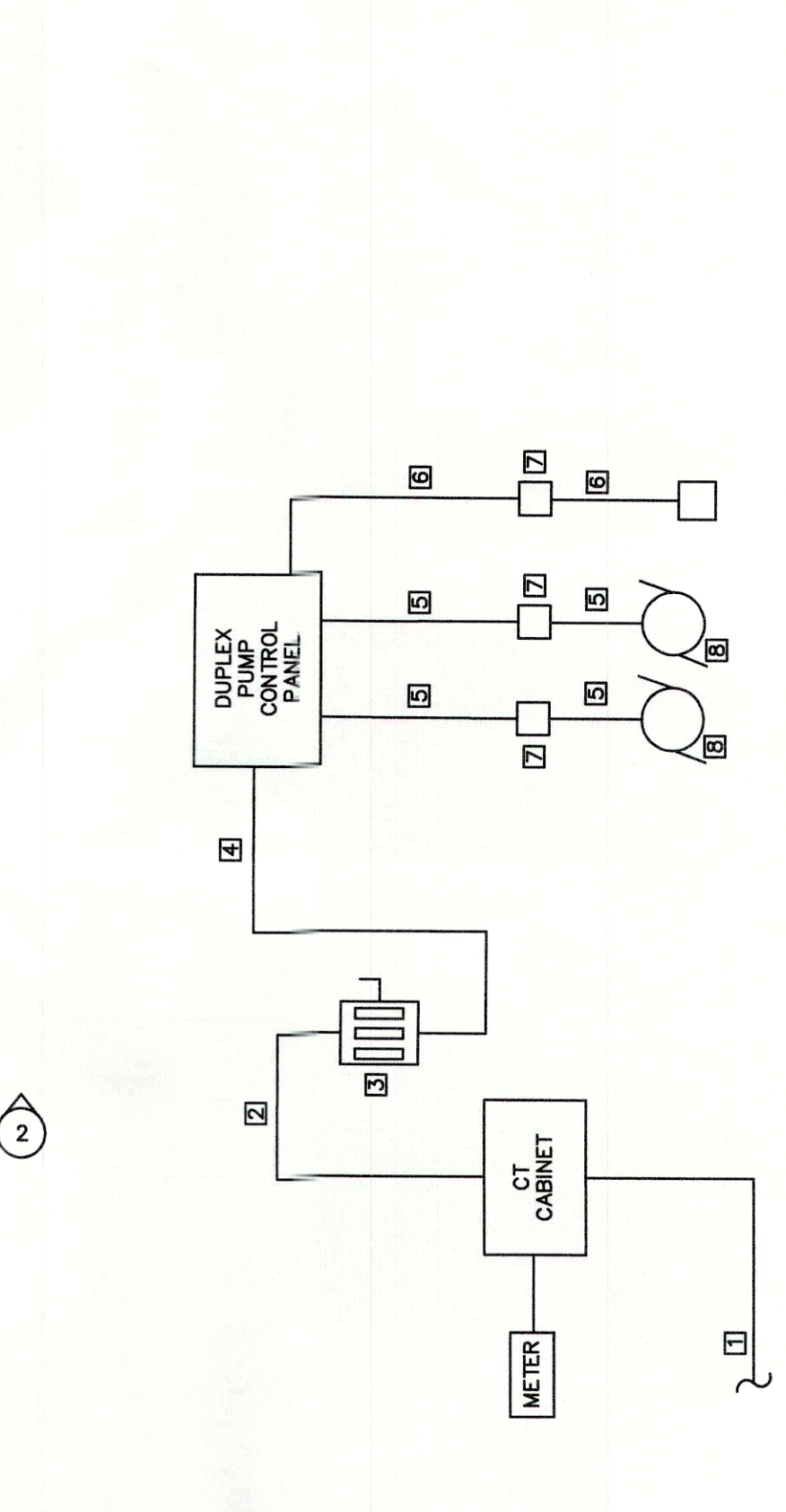
C-205



NOTES:

- REMOVE EXISTING PUMP EQUIPMENT IN EXISTING VAULT. DELIVER PUMPS TO TOWN GARAGE.
- CHECK VALVES SHALL BE TIDEFLEX SERIES 39 125# FLANGE WITH NEOPRENE CHECK SLEEVE.

LABEL	DESCRIPTION	MATERIAL
A	10" PIPE	DIP
B	10" 90° ELBOW	DIP-FLG.
C	10" TEE	DIP-FLG.
D	10" 90° ELBOW	DIP-MJ

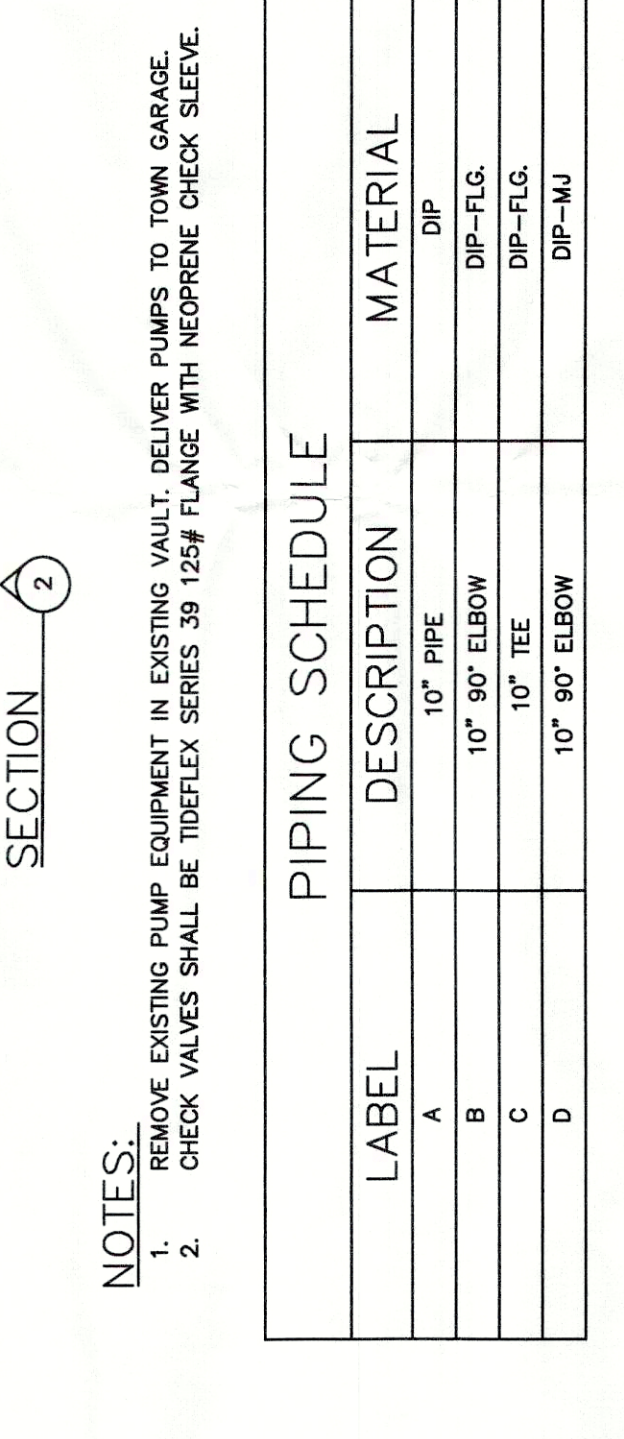
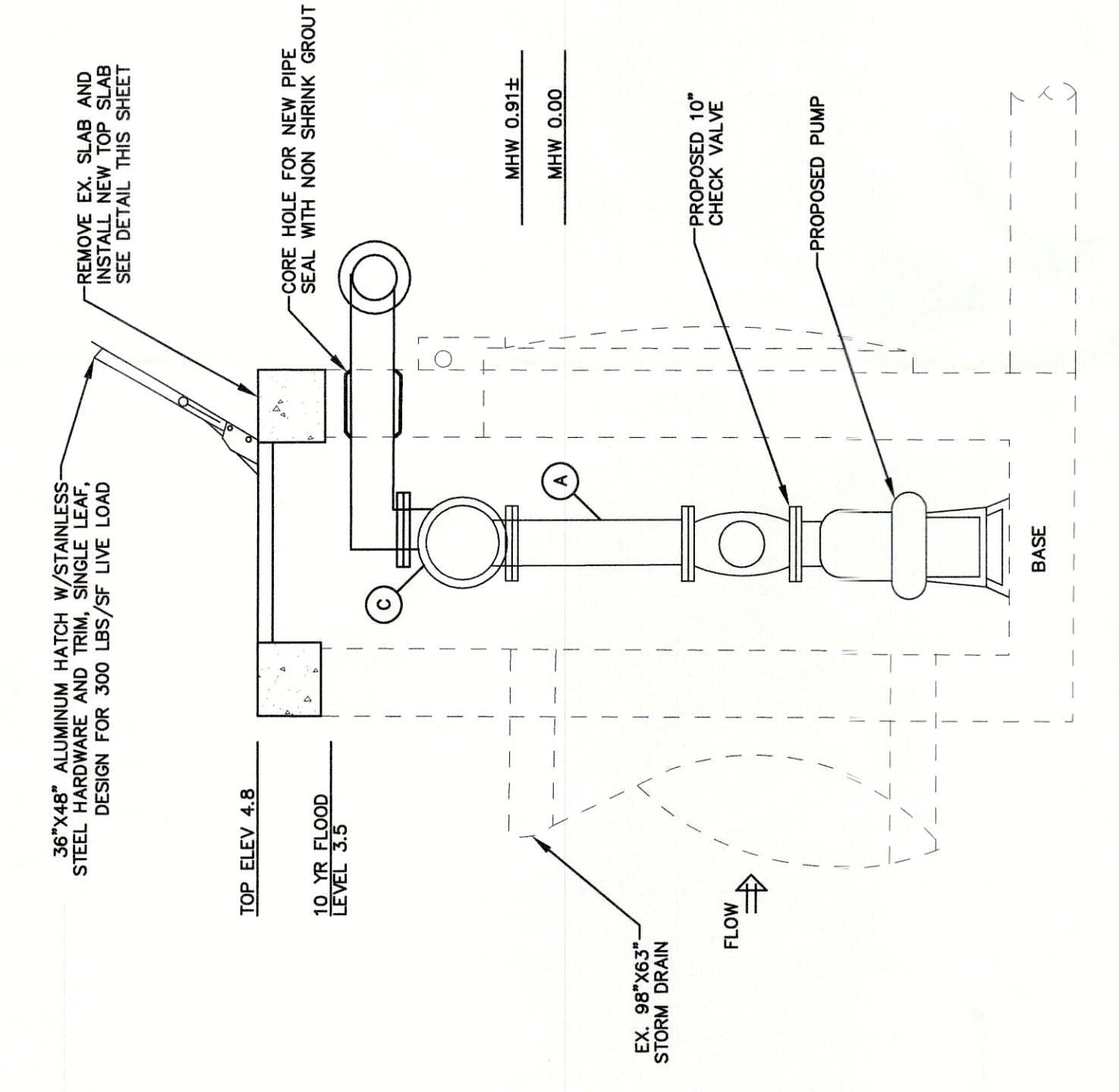


ELECTRICAL RISER DIAGRAM (N.I.S.):
 ALL WORKING PER SERVICES COORDINATE WITH UTILITY COMPANY
 1) #12 AWG CU WITH #4 GRND 1 K²C
 2) 200A FUSED SAFETY SWITCH 3P 4W NEMA 3R
 3) #4 AWG CU WITH #4 GRND 1 K²C
 4) #3/0 AWG CU WITH #4 GRND 1 K²C
 5) #4 AWG CU WITH #8 GRND & (+)#12 AWG CU 1²C
 6) #12 AWG CU 1²C
 7) WATER PROOF JUNCTION BOX

DUPLEX CONTROL PANEL WITH THE FOLLOWING COMPONENTS:

- 1) NEMA 3RX STAINLESS STEEL FREESTANDING ENCLOSURE
- 2) VFDs WITH KEYPADS FOR (2) 15HP, 208V, 3PH PUMPS
- 3) PLC CONTROLLER WITH LOCAL I/O MODULES
- 4) 5.7" OPERATOR INTERFACE TOUCH SCREEN OIT
- 5) UPS
- 6) STAT SENSORS
- 7) ENVIRONMENTAL CONTROLS AS REQUIRED
- 8) FACTORY AUTHORIZED START-UP SERVICES & TRAINING

TOWN OF NORTH BEACH
 PERMITS & CONSTRUCTION DEPARTMENT
 APPROVED: [Signature]
 DATE: 2/15/2022



INSTALL OVERFLOW & CHECK VALVE SECTION
 N.I.S.