

**SPECIFICATIONS**

*for*

**BAY AVENUE FLOWER BOX LIGHTING**

**TOWN OF NORTH BEACH  
CALVERT COUNTY, MARYLAND**

**MAYOR AND TOWN COUNCIL**

**MIKE BENTON, MAYOR**

**GREGG DOTSON**

**JANE HAGEN**

**MICKEY HUMMEL**

**GWEN SCHIADA**

**ELIZABETH LAWTON**

**PAUL TRANCONE**

*Prepared For*

**THE TOWN OF NORTH BEACH**

8916 Chesapeake Avenue

P.O. Box 99

North Beach, MD 20714

Phone: (301)855-6681

Fax: (301)855-0113

Email: northbeach@northbeachmd.org

*Prepared By*

**Stacy Milor  
TOWN CLERK**

**NOVEMBER 2019**

**TOWN OF NORTH BEACH  
INVITATION FOR BIDS  
BAY AVENUE FLOWERBOX LIGHTING**

Sealed bids for the Bay Avenue Flowerbox Lighting will be received until 4:30 p.m. on Monday, December 16, 2019. The project includes purchasing of 28 street lamps heads and accessories. Contract documents are available on the Town website at: [northbeachmd.org](http://northbeachmd.org).

Stacy Milor, Town Clerk

Publish:

11/29/19, 12/6/2019

BID FORM  
BAY AVENUE FLOWER BOX LIGHTING  
TOWN OF NORTH BEACH

MADE this \_\_\_\_\_ day of \_\_\_\_\_, 2019

By: \_\_\_\_\_

Business Address: \_\_\_\_\_

Telephone Number: \_\_\_\_\_

Email Address: \_\_\_\_\_

I/WE, the undersigned bidder, declare that the only person, firm or corporation, that have any interest in this proposal, or in the contract proposed to be taken, is or are the undersigned; that this proposal is made without any connection or collusion with any person, firm, or corporation making a proposal for the same work; that the attached specification and form of contract and the drawings therein to, have been carefully examined and are understood; that as careful an examination has been made as is necessary to become informed as to the character an extent of the work required; and that it is proposed and agreed if the proposal is accepted, to contract with the Town of North Beach, in the form in the specifications and as shown by the drawings.

The following bid price(s) include and cover the furnishing of all materials and labor requisite and proper, and the providing of all necessary machinery, tools, apparatus and means for performing the work, and the doing of all the above mentioned work, in the manner set forth, described and shown in the specifications and on the contract drawings, within the prescribed time.

The BIDDER hereby acknowledges receipt of the following addenda:

ADDENDA NUMBER	ISSUE DATE
_____	_____
_____	_____
_____	_____

No successful bidder may withdraw his/her bid.

Respectfully submitted,

\_\_\_\_\_

Signature

\_\_\_\_\_

Printed Name

\_\_\_\_\_

Title

\_\_\_\_\_

Date

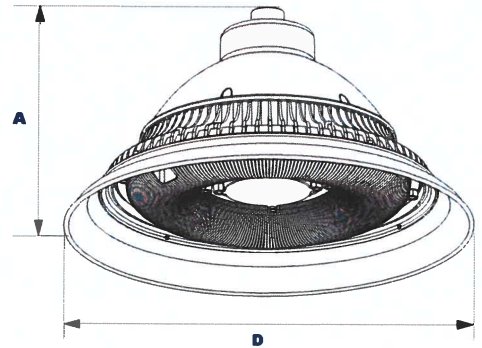
Bay Avenue Flowerbox Lighting  
Town of North Beach  
Bid Unit Price

Item No	Name	Description	Qty.	Bid. Unit Price	Bid Amount
1	Astor Bell Pendant Decorative Pole Mounted Luminaire - QSSI	QSSI – AS301QF1X84U5KLB Black 84 Watts LED	28		
2	Astor Bell Pendant Decorative Pole Mounted Luminaire - QSSI	QSSI- AS301QF1X84 U5KLB Black 84 Watts LED	56		
3	QSSI Single Mount Arm	QSSI – ASMA11	28		
4	QSSI Duel Pole Mount Arm	QSSI – ASMA12	28		
5	Straight Fluted Pole 14'; 5' Round with ¾' Anchor Bolts GFI 12" from the Top	Crystal Lighting – CL-RSFP-14- 5R-188-9BP-BLK-MG-GFI	28		
6	Decorative Base Cover	Crystal Lighting – CLP-SL-M- 86; Aluminum - Black	28		
				<b>TOTAL BID</b>	<b>\$</b>

## AS30Q Astor Bell Pendant Decorative Pole Mounted Luminaire



**L70**  
25°C 473,000 Hours



### Dimensions

**Diameter (D)** 19½" (495mm)  
**Height (A)** 11" (279mm)

The LEPG AS30Q Astor Bell Pendant is available in Type III or V distributions with two lens options designed to replace HID lighting systems up to 250w MH or HPS. The fixture mounts to a pole single arm, pole double arm, or wall mount single arm. Typical area lighting applications include parking areas, walkways, and pedestrian public spaces. Mounting heights of 12 to 30 feet can be used based on light level and uniformity requirements.

### AS30Q Specifications and Features:

#### Housing:

Die Cast Aluminum Housing, Integral Heat Sinking and Driver Compartment, Spun Aluminum Shade. Nickel-Plated Stainless Steel Hardware. Optional Twist-Lock Receptacle and Photocells are Installed on Arm Brackets (Factory Installed).

#### Listing & Ratings:

CSA: Listed for Wet Locations, ANSI/UL 1598, 8750  
IP66 Sealed LED Compartment

#### Finish:

Textured Architectural Black Powdercoat Finish Over a Chromate Conversion Coating. Custom Colors Available Upon Request.

#### Lens:

Clear Prismatic or LumaLens Opal Prismatic Array Lens to Seal LED Array

#### Mounting Options:

Single Wall Mount Arm and Bracket, or Single or Dual Pole Mount Arms. Pole Mount Arms Accommodate 3" Tenons.

#### EasyLED LED: Aluminum Boards

#### Wattage:

37w Array: 37w, System: 39w; (70-150w HID Equivalent)  
65w Array: 65.1w, System: 68w; (150-250w HID Equivalent)  
84w Array: 84w, System: 86w; (150-250w HID Equivalent.)

#### Driver:

Electronic Driver, 120-277V, 50/60Hz or 347-480V, 50/60Hz; Less Than 20% THD and PF>0.90. Standard Internal Surge Protection 6kV. 0-10V Dimming Standard for a Dimming Range of 100% to 10%; Dimming Source Current is 150 Microamps.

#### Controls:

Fixtures Ordered with Factory-Installed Photocell or Motion Sensor Controls are Internally Wired for Switching and/or 1-10V Dimming Within the Housing. Remote Direct Wired Interface of 1-10V Dimming is Not Implied and May Not Be Available, Please Consult Factory. Fixtures are Tested with LEPG Controls and May Not Function Properly With Controls Supplied By Others. Fixtures are NOT Designed for Use with Line Voltage Dimmers.

#### Warranty:

5-Year Warranty for -40°C to +50°C Environment.

See Page 3 for Projected Lumen Maintenance Table.

### Specification Guide:

#### Step 1:



#### Step 2:



#### Step 3:



### Project Information:

Project Name:	Fixture Type:
Complete Catalog #:	Date:
Comments:	

### Certification & Listings:



Specifications subject to change without notice. Rev. 011619

### Step 1: Select Fixture

Order Information Example: **AS301QF1X84U5KCBSF**

AS301Q	Model	Optics	Wattage	Driver	CCT	Lens	Color	Options
	<b>AS301Q</b> = EasyLED Astor Bell Pendant	<b>C</b> =Type III* <b>F</b> =Type V  *37 & 65w Model Only	<b>1X37</b> =37w <b>1X65</b> =65w <b>1X84</b> =84w	<b>U</b> =120-277V <b>H</b> =347-480V	<b>3K</b> =3000K* <b>4K</b> =4000K <b>5K</b> =5000K  *84w Type V Only	<b>C</b> =Clear <b>P</b> =Prismatic <b>A</b> =Array Lens <b>L</b> =LumaLens <b>O</b> =Opal Array Lens	<b>B</b> =Black <b>C</b> =Custom (Consult Factory)	<b>SF</b> =Single Fuse <b>DF</b> =Double Fuse <b>SP</b> =Surge Protection <b>S2</b> =Microwave Sensor with Dimming for Mounting Heights of 8 to 40'. (120-277V Only)

### Step 2: Select Arm

Order Information Example: **ASMA12BR7**

Model	Color	Options
<b>ASWM11</b> = Single Wall Mount Arm <b>ASMA11</b> = Single Pole Mount Arm <b>ASMA12</b> = Dual Pole Mount Arm	<b>B</b> =Black <b>C</b> =Custom (Consult Factory)	<b>R3</b> =3-Pin Twist Lock Photocell Receptacle <b>R5</b> =5-Pin Twist Lock Photocell Receptacle <b>R7</b> =7-Pin ANSI C136.41-2013 Twist Lock Photocell Receptacle  Photocell Option not available with Wall Mount Arm.

### Step 3: Select Pole

Order Information Example: **PSRA2555BP3**

PSRA	Model	Height/Shaft/Gauge (Pick One)	B	P3	Options
		<b>4" Round 5mm Wall</b> <b>5" Round 5mm Wall</b>	<b>B</b> =Black	<b>P3</b> =2 1/4 x 4"H Tenon	<b>(Leave Blank)</b> =No Options <b>LAB</b> =Less Anchor Bolts (2) <b>LBC</b> =Less Base Cover (3)
<b>PSRA</b> =Straight Round Aluminum Pole		<b>1045</b> =10' <b>1245</b> =12' <b>1445</b> =14' <b>1645</b> =16' <b>1845</b> =18' <b>2045</b> =20'			

#### Notes:

1. PSRA poles include anchor bolts standard, consult dimension table for size based on pole dimensions.
2. PSRA poles include square 2-piece black base cover.

**See PSRA Spec Sheet for Additional Specifications and EPAs**

Order Information Example: **PARF422DBLAB**

PARF	Model	Shaft/Height/Style	B	Options
	<b>PARF</b> =Fluted Aluminum Extruded Pole	<b>416AB</b> =16" Anchor Base Pole <b>422DB</b> =22" Direct Burial Pole	<b>B</b> =Black	<b>(Leave Blank)</b> = No Options <b>LAB</b> = Less Anchor Bolts (2)

#### Notes:

1. PARF poles include anchor bolts standard.
2. PARF poles include removable 3" aluminum tenon.
3. PARF Poles can be cut to custom lengths. Consult factory.

**See PARF Spec Sheet for Additional Specifications and EPAs**

#### Mounting Options:



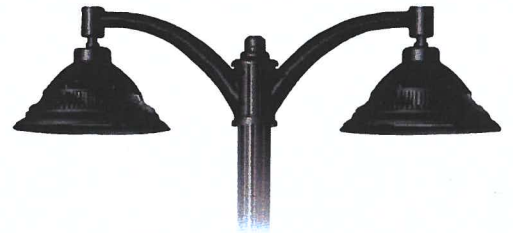
**AS301Q with Single Wall Mount Arm (ASWM11)**

Single Wall Mount Arm, Black Powdercoat Finish, Includes Hardware. Mounts Directly to Wall



**AS301Q with Single Pole Mount Arm (ASMA11)**

Single Pole Mount Arm, Black Powdercoat Finish, Includes Hardware. Requires 3" Tenon.



**AS301Q with Dual Pole Mount Arm (ASMA12)**

Dual Pole Mount Arm, Black Powdercoat Finish, Includes Hardware. Requires 3" Tenon.

#### EPA (Effective Projected Area) Shown with Mounting Arms.

Configuration	EPA (Sq. Ft.)	Weight (Lbs.)	Configuration	EPA (Sq. Ft.)	Weight (Lbs.)
1	0.64	22 Lbs	2@180 Mount	1.28	44 Lbs

Specifications subject to change without notice. Rev. 031319





**LIGHTING & ELECTRICAL PRODUCTS GROUP**

# Astor Series

**L70** 25°C 473,000 Hours

## AS30Q Astor Bell Pendant Decorative Pole Mounted Luminaire

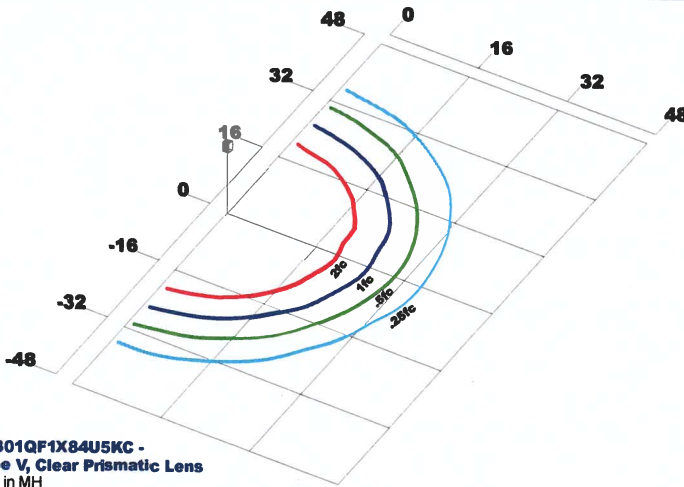
### Accessories & Replacement Parts:



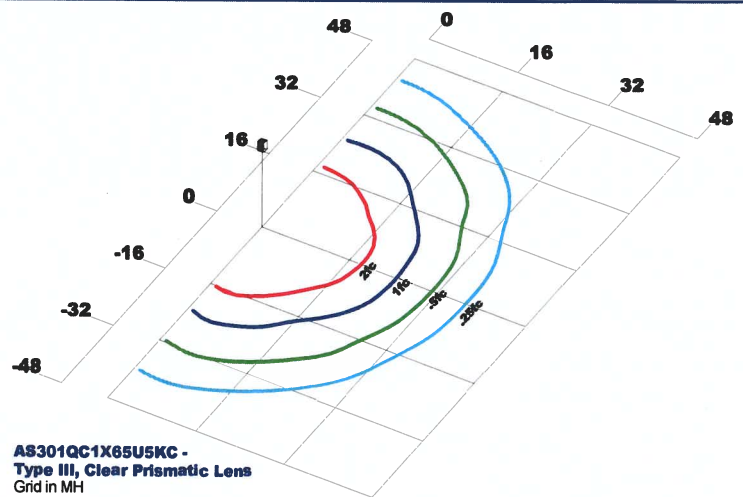
Accessories (Order Separately, Field Installed)	
P18131	Twist Lock Non-Shorting (Open) Cap Disconnects Service to Fixture for Temporary or Permanent Disabling (Fixture Always Off). IP65, 480V Maximum.
P18132	Twist Lock Shorting Cap Provides Fixed Service to Fixture (Fixture Always on). IP65, Rated Load 7200w Tungsten.
P18140	110-120VAC Instant Twist Lock Photocell
P18142	105-287VAC Instant Twist Lock Photocell
P18150	120VAC Time Delay Twist Lock Photocell
P18152	277VAC Time Delay Twist Lock Photocell
P18156	120-277VAC Universal Twist Lock Photocell
P18157	480VAC Time Delay Twist Lock Photocell. For 480V use only.

Replacement Parts (Order Separately, Field Installed)	
P17117	Internal Microwave Sensor with Dimming for Mounting Heights of 8 to 40'. 120-277VAC, 50/60Hz.

### Photometric Data



**AS301QF1X84U5KC - Type V, Clear Prismatic Lens**  
Grid in MH  
MH=16 Feet



**AS301QC1X65U5KC - Type III, Clear Prismatic Lens**  
Grid in MH  
MH=16 Feet

### Photometric Performance

LED Board Watts	Drive Current (mA)	Input Watts	Optics	5000 CCT 80 CRI			4000 CCT 80 CRI			
				Lumens	LPW	B U G	Lumens	LPW	B U G	
EasyLED 37w	525	39	Type III (Clear Prismatic Array Lens)	3,228	83	1 0 1	3,107	80	1 0 1	
EasyLED 65w		68	Type III (Clear Prismatic Array Lens)	5,671	83	2 0 2	5,458	80	2 0 2	
EasyLED 84w		86	Type V (Clear Prismatic Array Lens)	9,614	112	3 3 0	8,965	104	3 3 0	
	Type V (LumaLens Array Lens)		8,220	96	3 3 0	7,665	89	3 3 0		

### Projected Lumen Maintenance

Data shown for 5000 CCT			Compare to MH			
TM-21-11	Input Watts	Initial	25,000 Hrs	50,000 Hrs	100,000 Hrs	Calculated L70@ 25°C
L70 Lumen Maintenance @ 25°C / 77°F	86	1.00	0.98	0.97	0.94	473,000
TM-21-11	Input Watts	Initial	25,000 Hrs	50,000 Hrs	100,000 Hrs	Calculated L70@ 50°C
L70 Lumen Maintenance @ 50°C / 122°F	86	1.00	0.97	0.95	0.90	290,000
TM-21-11	Input Watts	Initial	25,000 Hrs	50,000 Hrs	100,000 Hrs	Calculated L80@ 40°C
L80 Lumen Maintenance @ 40°C / 104°F	86	1.00	0.98	0.95	0.91	220,000

**NOTES:**  
 1. Projected per IESNA TM-21-11. Data references the extrapolated performance projections for the 525mA base model in a 25°C ambient, based on 10,000 hours of LED testing per IESNA LM-80-08.  
 2. Compare to MH box indicates suggested Light Loss Factor (LLF) to be used when comparing to Metal Halide (MH) systems.

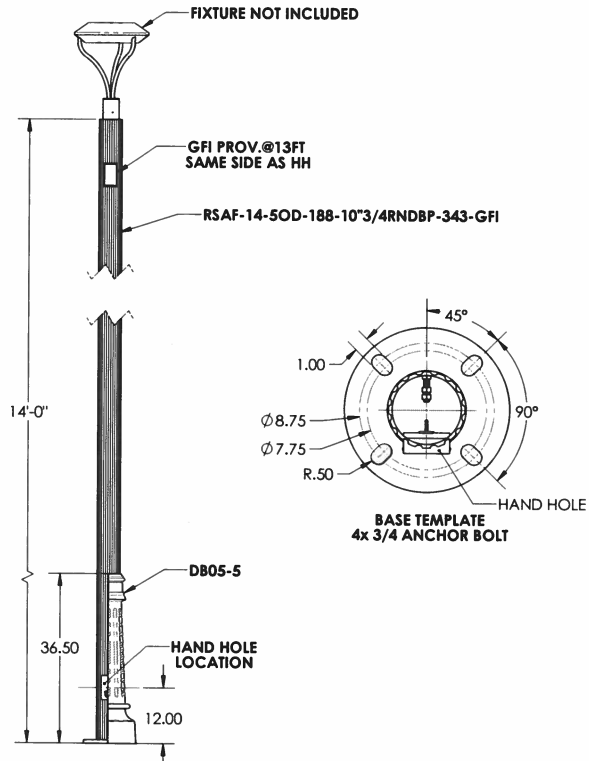
Specifications subject to change without notice. Rev. 012319

12802 Commodity Place • Tampa, FL 33626 • Phone: (813) 316-2221  
 For more information visit our website at [www.qssi.com](http://www.qssi.com)



**6 LOCATIONS**  
 Tampa, FL  
 Vancouver, WA  
 Cerritos, CA  
 Walden, NY  
 Memphis, TN  
 Telford, U.K.





REVISIONS			
REV.	DESCRIPTION	DATE	APPROVED



**Project: THE TOWN OF NORTHBACH**  
 Processing of your order will not continue until Crystal Lighting receive a copy of this drawing approved for production  
 Approved By: \_\_\_\_\_ Date: \_\_\_\_\_

UNLESS OTHERWISE SPECIFIED:	NAME	DATE	
DIMENSIONS ARE IN INCHES	DRAWN	J.R. Tipton	
TOLERANCES:	CHECKED		
ANGULAR: MACH ± 1° BEND ± 1°	ENG APPR.	J.R. Tipton	8/6/19
DIMENSIONS:	PLANNING	R. Williams	8/6/19
.XX ± .03	Q.A.		
.XXX ± .010			
INTERPRET GEOMETRIC TOLERANCING PER:	PROPRIETARY AND CONFIDENTIAL THE INFORMATION CONTAINED IN THIS DRAWING IS THE SOLE PROPERTY OF CRYSTAL LIGHTING. ANY REPRODUCTION IN PART OR AS A WHOLE WITHOUT THE WRITTEN PERMISSION OF CRYSTAL LIGHTING IS PROHIBITED.		
MATERIAL:	SIZE	DWG. NO.	REV
FRESH	B	RSFA14-DB05	
DO NOT SCALE DRAWING	SCALE: NTS	WEIGHT:	SHEET 1 OF 1

**TITLE:**  
 RSAF-14-5OD-188-10\*3/4RNDP-342-BLK-MG-GFI-13R  
 CLP-5001-TP1-3B-15-75CLED-50K-MV-BLK-MG-DB05-5