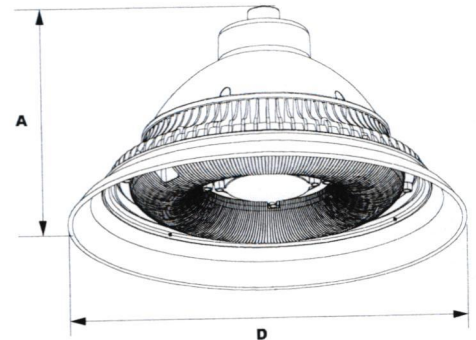


AS30Q Astor Bell Pendant Decorative Pole Mounted Luminaire



L70
25°C **473,000 Hours**



Dimensions

Diameter (D)	19½" (495mm)
Height (A)	11" (279mm)

The LEPG AS30Q Astor Bell Pendant is available in Type III or V distributions with two lens options designed to replace HID lighting systems up to 250w MH or HPS. The fixture mounts to a pole single arm, pole double arm, or wall mount single arm. Typical area lighting applications include parking areas, walkways, and pedestrian public spaces. Mounting heights of 12 to 30 feet can be used based on light level and uniformity requirements.

AS30Q Specifications and Features:

Housing:

Die Cast Aluminum Housing, Integral Heat Sinking and Driver Compartment, Spun Aluminum Shade, Nickel-Plated Stainless Steel Hardware. Optional Twist-Lock Receptacle and Photocells are Installed on Arm Brackets (Factory Installed).

Listing & Ratings:

CSA: Listed for Wet Locations, ANSI/UL 1598, 8750
IP66 Sealed LED Compartment

Finish:

Textured Architectural Black Powdercoat Finish Over a Chromate Conversion Coating. Custom Colors Available Upon Request.

Lens:

Clear Prismatic or LumaLens Opal Prismatic Array Lens to Seal LED Array

Mounting Options:

Single Wall Mount Arm and Bracket, or Single or Dual Pole Mount Arms. Pole Mount Arms Accommodate 3" Tenons.

EasyLED LED:

Aluminum Boards

Wattage:

37w Array: 37w, System: 39w; (70-150w HID Equivalent)
65w Array: 65.1w, System: 68w; (150-250w HID Equivalent)
84w Array: 84w, System: 86w; (150-250w HID Equivalent.)

Driver:

Electronic Driver, 120-277V, 50/60Hz or 347-480V, 50/60Hz; Less Than 20% THD and PF>0.90. Standard Internal Surge Protection 6kV, 0-10V Dimming Standard for a Dimming Range of 100% to 10%; Dimming Source Current is 150 Microamps.

Controls:

Fixtures Ordered with Factory-Installed Photocell or Motion Sensor Controls are Internally Wired for Switching and/or 1-10V Dimming Within the Housing. Remote Direct Wired Interface of 1-10V Dimming is Not Implied and May Not Be Available, Please Consult Factory. Fixtures are Tested with LEPG Controls and May Not Function Properly With Controls Supplied By Others. Fixtures are NOT Designed for Use with Line Voltage Dimmers.

Warranty:

5-Year Warranty for -40°C to +50°C Environment.

See Page 3 for Projected Lumen Maintenance Table.

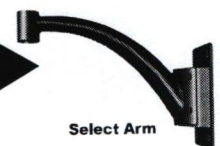
Specification Guide:

Step 1:



Select Fixture

Step 2:



Select Arm

Step 3:



Select Pole

Project Information:

Project Name:	Fixture Type:
Complete Catalog #:	Date:
Comments:	

Certification & Listings:



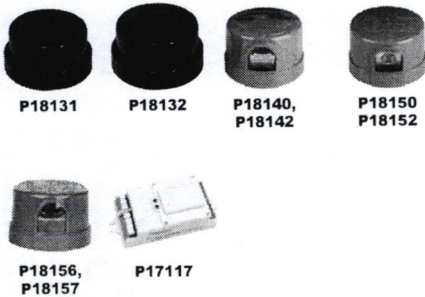
Specifications subject to change without notice. Rev. 011619

12802 Commodity Place • Tampa, FL 33626 • Phone: (813) 316-2221
For more information visit our website at www.qssi.com



6 LOCATIONS
Tampa, FL
Vancouver, WA
Cerritos, CA
Walden, NY
Memphis, TN
Telford, U.K.

Accessories & Replacement Parts:



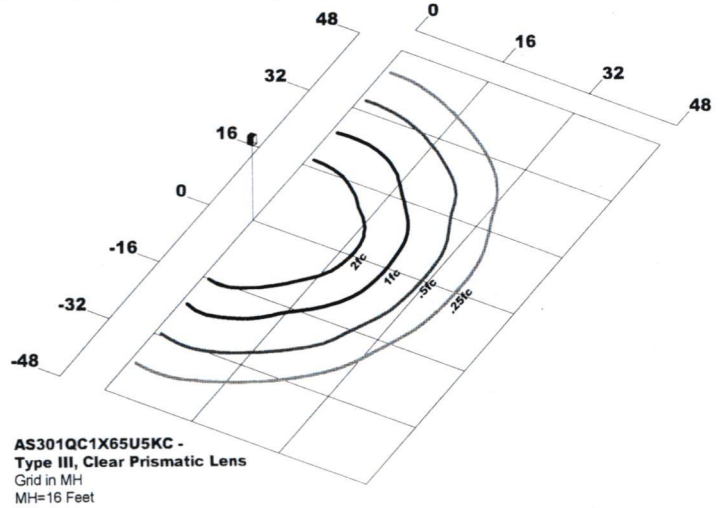
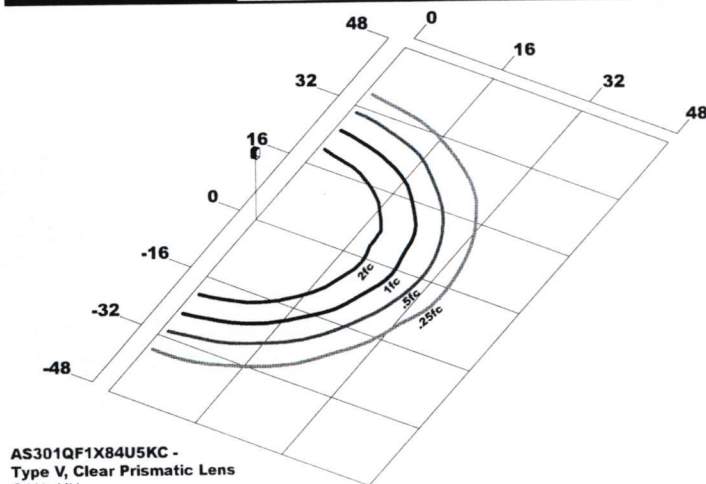
Accessories (Order Separately, Field Installed)

P18131	Twist Lock Non-Shorting (Open) Cap Disconnects Service to Fixture for Temporary or Permanent Disabling (Fixture Always Off). IP65, 480V Maximum.
P18132	Twist Lock Shorting Cap Provides Fixed Service to Fixture (Fixture Always on). IP65, Rated Load 7200w Tungsten.
P18140	110-120VAC Instant Twist Lock Photocell
P18142	105-287VAC Instant Twist Lock Photocell
P18150	120VAC Time Delay Twist Lock Photocell
P18152	277VAC Time Delay Twist Lock Photocell
P18156	120-277VAC Universal Twist Lock Photocell
P18157	480VAC Time Delay Twist Lock Photocell. For 480V use only.

Replacement Parts (Order Separately, Field Installed)

P17117	Internal Microwave Sensor with Dimming for Mounting Heights of 8 to 40'. 120-277VAC, 50/60Hz.
--------	---

Photometric Data



Photometric Performance

LED Board Watts	Drive Current (mA)	Input Watts	Optics	5000 CCT 80 CRI					4000 CCT 80 CRI				
				Lumens	LPW	B	U	G	Lumens	LPW	B	U	G
EasyLED 37w	525	39	Type III (Clear Prismatic Array Lens)	3,228	83	1	0	1	3,107	80	1	0	1
EasyLED 65w		68	Type III (Clear Prismatic Array Lens)	5,671	83	2	0	2	5,458	80	2	0	2
EasyLED 84w		86	Type V (Clear Prismatic Array Lens)	9,614	112	3	3	0	8,965	104	3	3	0
			Type V (LumaLens Array Lens)	8,220	96	3	3	0	7,665	89	3	3	0

Projected Lumen Maintenance

Data shown for 5000 CCT			Compare to MH			
TM-21-11	Input Watts	Initial	25,000 Hrs	50,000 Hrs	100,000 Hrs	Calculated L70@ 25°C
L70 Lumen Maintenance @ 25°C / 77°F	86	1.00	0.98	0.97	0.94	473,000
Data shown for 50°C			Compare to MH			
TM-21-11	Input Watts	Initial	25,000 Hrs	50,000 Hrs	100,000 Hrs	Calculated L70@ 50°C
L70 Lumen Maintenance @ 50°C / 122°F	86	1.00	0.97	0.95	0.90	290,000
Data shown for 40°C			Compare to MH			
TM-21-11	Input Watts	Initial	25,000 Hrs	50,000 Hrs	100,000 Hrs	Calculated L80@ 40°C
L80 Lumen Maintenance @ 40°C / 104°F	86	1.00	0.98	0.95	0.91	220,000

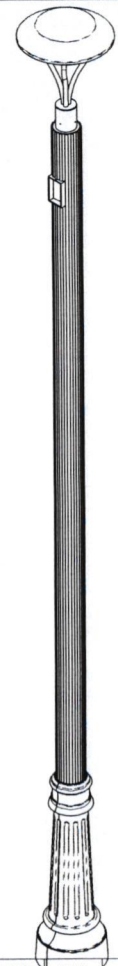
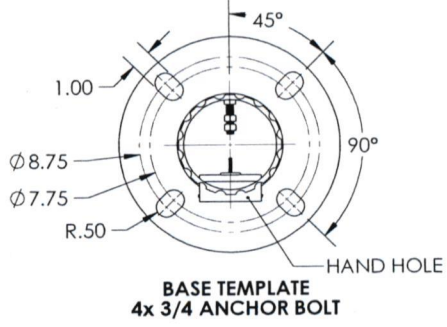
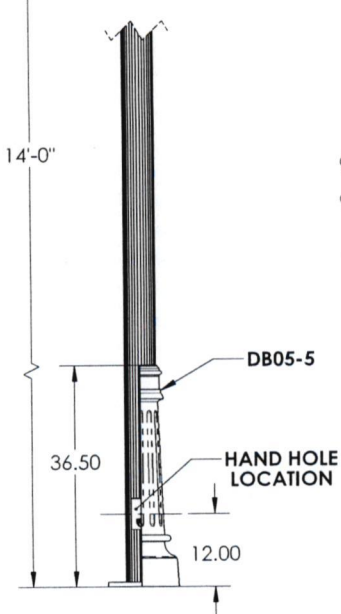
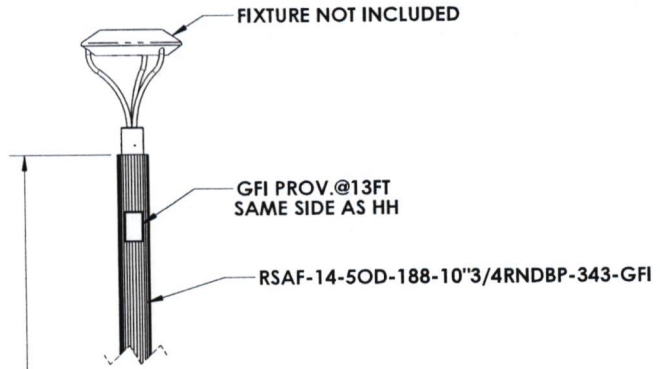
NOTES:

- Projected per IESNA TM-21-11. Data references the extrapolated performance projections for the 525mA base model in a 25°C ambient, based on 10,000 hours of LED testing per IESNA LM-80-08.
- Compare to MH box indicates suggested Light Loss Factor (LLF) to be used when comparing to Metal Halide (MH) systems.

Specifications subject to change without notice. Rev. 012319

8 7 6 5 4 3 2 1

REVISIONS			
REV.	DESCRIPTION	DATE	APPROVED



Project : THE TOWN OF NORTHBEACH
 Processing of your order will not continue until Crystal Lighting receive a copy of this drawing approved for production
 Approved By: _____ Date: _____

UNLESS OTHERWISE SPECIFIED:	NAME	DATE
DIMENSIONS ARE IN INCHES	J R TADP	
TOLERANCES:	CHECKED	
ANGULAR: MACH ± 1° BEND ± 1°	ENG APPR	J R TADP 8/6/19
DIMENSIONS:	PLANNING	KCNABR 8/6/19
XX ± .03	Q.A.	
XXX ± .010		
INTERPRET GEOMETRIC TOLERANCING PER:	PROPRIETARY AND CONFIDENTIAL THE INFORMATION CONTAINED IN THIS DRAWING IS THE SOLE PROPERTY OF CRYSTAL LIGHTING. ANY REPRODUCTION IN PART OR AS A WHOLE WITHOUT THE WRITTEN PERMISSION OF CRYSTAL LIGHTING IS PROHIBITED.	
MATERIAL		
FINISH		
DO NOT SCALE DRAWING		

TITLE:
RSAF-14-5OD-188-10"3/4RNDP-342-BLK-MG-GFI-T3R
CLP-5001-TP1-3B-15-75CLED-50K-MV-BLK-MG DB05-5

SIZE	DWG. NO.	REV
B	RSAF14-DB05	
SCALE: NTS	WEIGHT:	SHEET 1 OF 1

8 7 6 5 4 3 2 1